

PBS-200-A Power Junction Box, Single Entry

For use with Britech's line-up of FT and PT series self-regulating heating cables.

Inside the junction box one heating circuit can be connected to the supply voltage.

One through hole allows the usage of 3/4" conduit. The power junction box is equipped with spring clamp terminals Ex e 10 Awg.



Technical:

Ingress Protection

- NEMA 4x

Ambient Temperature Range

- -55 °C up to +55 °C (-67 °F up to 131 °F)

Power Entry

- 1 x 3/4 inch

Material

- Polyester, glass fibre reinforce

Max. Voltage

- 256 V

Dimensions (H-W-D) on pipe stand

- 4.8 x 4.7 x 3.5 in (122 x 120 x 90 mm)

Features:

- For use with Britech's FT and PT series self-regulating cables
- Explosion protection and CSA certified
- Wide temperature range
- Can be combined with cold-applied or heat shrink technology
- NEMA 4X enclosure
- Flame-retardant
- Impact resistant
- Complete with power connection and end seal kit
- Pipe stand included

Additional Specifications:

Heater Cable Entry

- 1 x D5 grommet

Box Support

- Mounting stand (engineered polyster)

Terminals

- Spring clamp Ex e, 10 Awg
2 line, 1 ground
4x6; 2 x PE (mm²)

Max. Conductor Size

- 10 Awg

Max. Current Breaker Rating

- 40 A

Min. Ambient Temperature

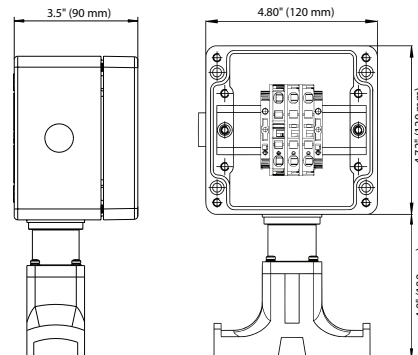
- -45 °C (-50 °F)

Max. Ambient Temperature

- +55 °C (+130 °F)

Max. Pipe Temperature

- +180 °C (+365 °F)



Explosion Protection:

Type

Class I, Div.2, Groups A, B, C, D
Class II, Div.2, Groups E, F, G
Class III

Certification

CSA 1862457