

1. GENERAL INFORMATION

Description

Snow or ice dams that have built up on a roof can cause water damage to the interior of homes as well as damage to gutters and downspouts. This custom TXLP/1 single conductor heating cable system is normally used due to high loads and varying gutter and drain lengths for different projects. When installed properly on roofs and gutters it will prevent ice dam formation and maintains flow paths for melted snow and ice to drain from the roof. Maintaining flow paths prevents standing water on the roof and icicle formations.

Technical Information

- Max. continuously operating temperature outer jacket 65 °C (149 °F)
- Min. bending radius is 5x cable diameter Overall diameter approx. 6.5 mm (1/4")
- Tolerance on conductor resistance: -5 to + 10%
- Highest system voltage: 600 V
- Stranded resistance wire, XLPE insulation, earthing conductor, metallic sheath (aluminum), PVC outer jacket.

Mounting Accessories

Accessories required to install your custom Nexans TXLP heating cable system for frost protection of gutters and roof drains.

RCK-1	Roof Clip
BT-50	Britech Roof Clip (Matt Black)
10068944	Plastic Spacers for Gutters/Drains
BRIPP-75	Galvanized Clip Strip
BRISS-75	Stainless Steel Clip Strip
10191134	Stainless Steel Suspension Hanger

Controls

Weather proof thermostats, snow sensors and controls are available for any application. Contact Britech for selection assistance.

Approvals



For Technical Assistance:

For product selection, design assistance and technical questions please contact Britech at 1-877-33-57790

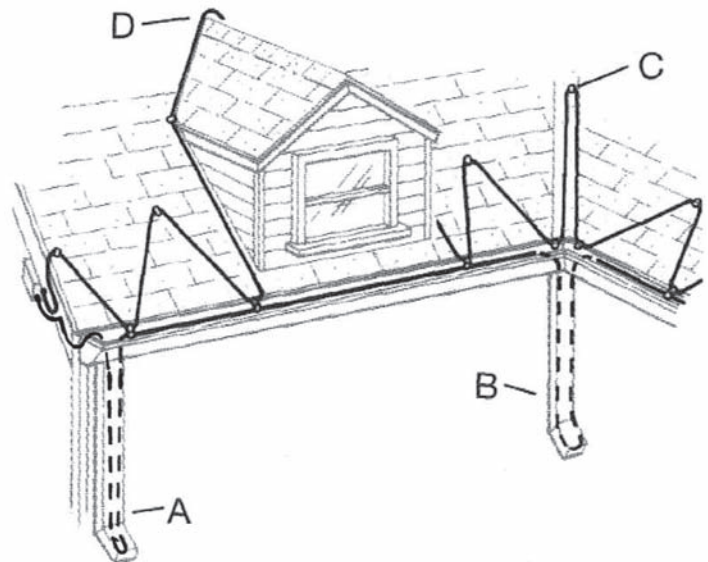
Typical Roof & Gutter Installation

A & B: Downspout Installation

C: Valley Configuration

D: Over the Dormer Installation

- Height and width of the loops on the roof edge varies.
- One return in the gutter.



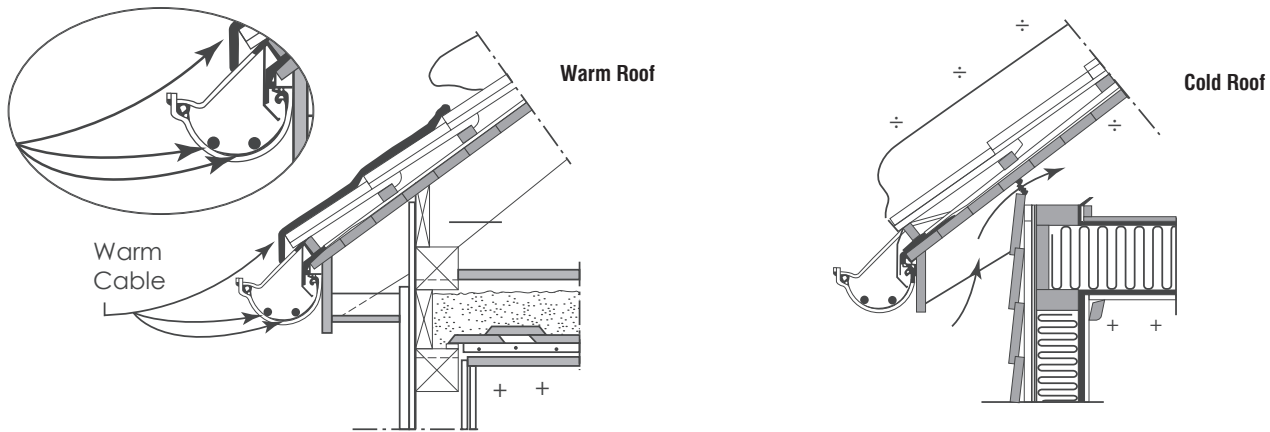
CAUTION: Series resistance heating cables such as TXLP/1 must not cross or touch each other at any point, on the roof or in the downspout. Failure to use the heating cable spacers and/or maintain a 2" separation along the entire length of the cable may result in burnout, cable failure and will void the warranty.

2. EVALUATE ROOF CONSTRUCTION

Warm Roof or Cold Roof?

Warm Roof: A poorly insulated roof where heat loss through the roof causes a positive temperature on the roof surface under a layer of snow. Water from melting snow will collect in the cold roof drains and freeze.

Cold Roof: A well insulated roof where icing occurs, often in the late winter. Sunshine will melt snow on the roof while the roof drains and gutters may be in the shadow. The melting water will then freeze. Repeated occurrences will harm the roof and split gutters and downspouts.



3. SELECTING THE RIGHT LOAD

- **Warm Roof:** 40 to 50 W per meter of gutter
- **Cold Roof:** 30 to 40 W per meter of gutter

Limitations:

- **Metal gutters and pipes** — Maximum 50 W/m of gutter, 25 W/m cable
- **Wooden gutters and pipes** — Maximum 36 W/m of gutter, 18 W/m cable
- **Plastic gutters and pipes** — Maximum 40 W/m of gutter, 20 W/m cable

4. DETERMINE CABLE LENGTH

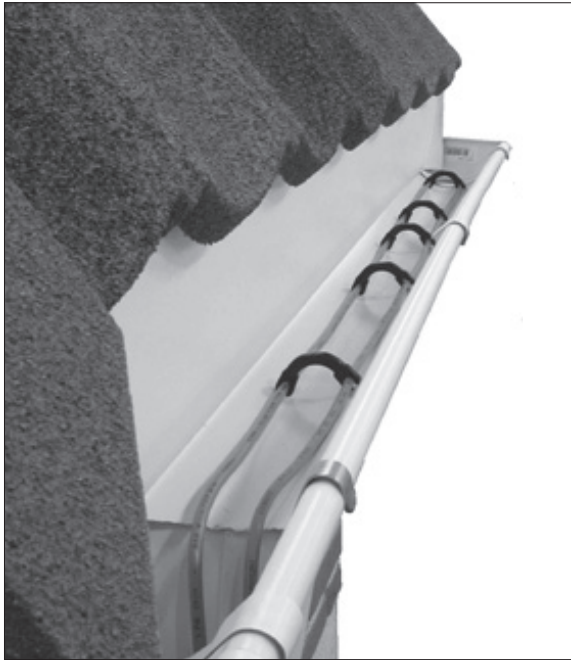
Due to the high loads and varying gutter and drain lengths, TXLP/1 single conductor cable is normally used.

Add together the total length of roof drains and gutters.

The loop in the drain must go to point of discharge above or below grade.

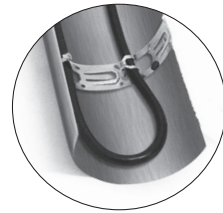
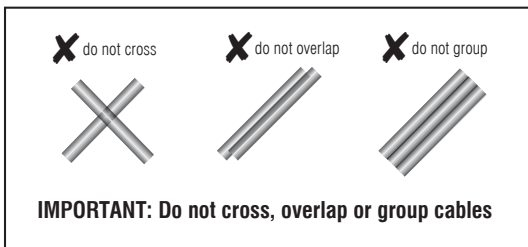
Multiply this length by 2 to determine the cable length.

5. INSTALLATION ON GUTTERS & ROOF DRAINS



Tips for Installing TXLP/1 Cables

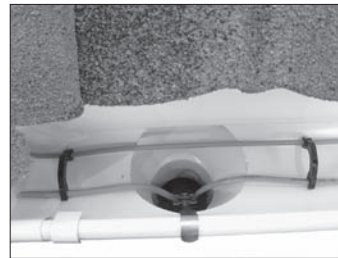
- Cables are fastened at the end
- Two rows of cable in gutter and drain
- Spacers with arc facing up. Approximately 3 used per metre.
- Downspout hanger installed to support weight of cable on vertical run
- Heating cable should be fastened at the outlet
- At the top provides the best protection
- At the bottom prevents icing in the opening
- Always run cable to point of water discharge to prevent freezing



Heating cable fastened at the outlet

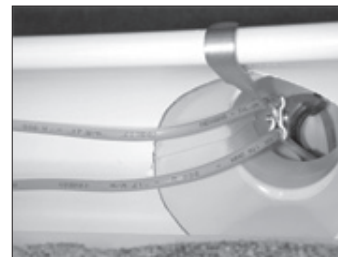


TXLP Cable with spacer and clip strip



Downspout hanger

- Length of downspout up to 35 metres
- Cable continues on both sides of the drain

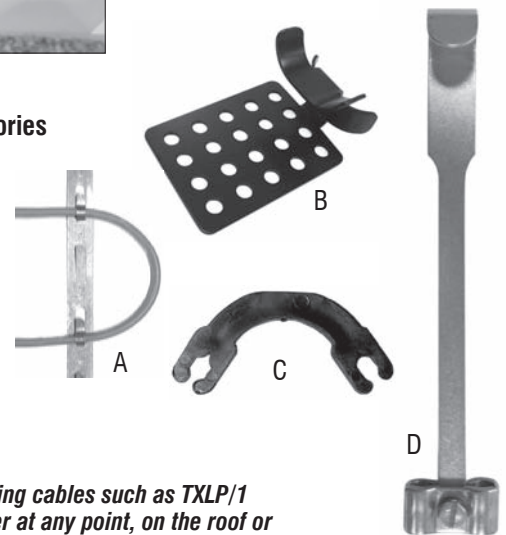


Drain with downspout hanger

Note: Beware of possible sharp edges inside drains

Roof & Gutter Accessories

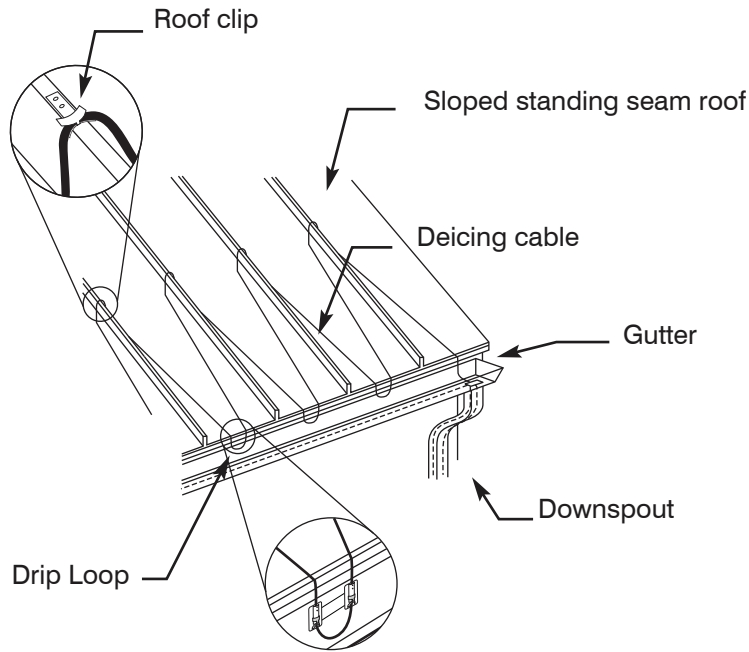
- A) Clip Strip
- B) Roof Clip
- C) Suspension Hook
- D) Plastic Spacer



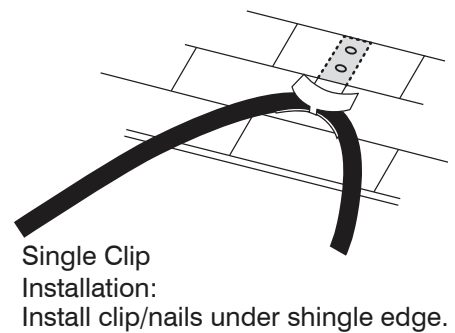
!CAUTION: Series resistance heating cables such as TXLP/1 must not cross or touch each other at any point, on the roof or in the downspout. Failure to use the heating cable spacers and/or maintain a 2" separation along the entire length of the cable may result in burnout, cable failure and will void the warranty.

6. A) GENERAL ROOF CLIP INSTALLATION

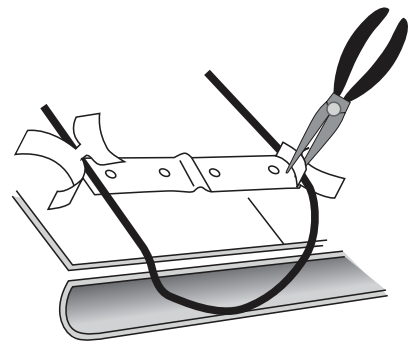
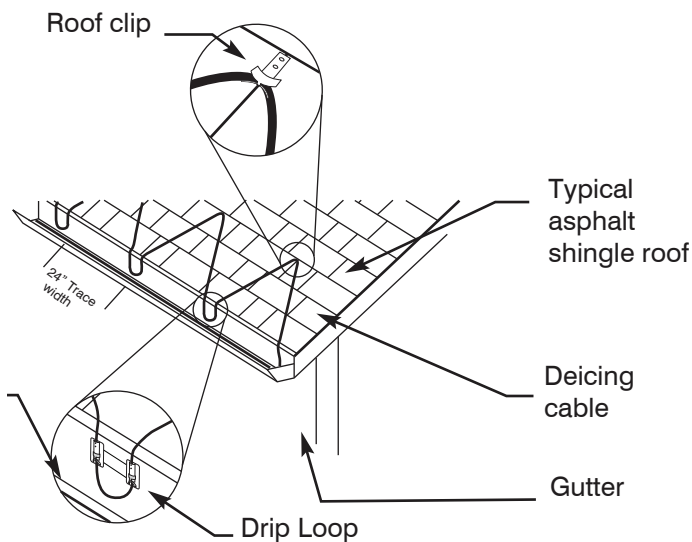
Option 1: Slope Standing Seam Roof



NOTE: For some applications, it may be necessary to install heating cable loops on the roof as well as in the gutters and downspouts. Consult Britech.



Option 2: Asphalt Shingle Roof

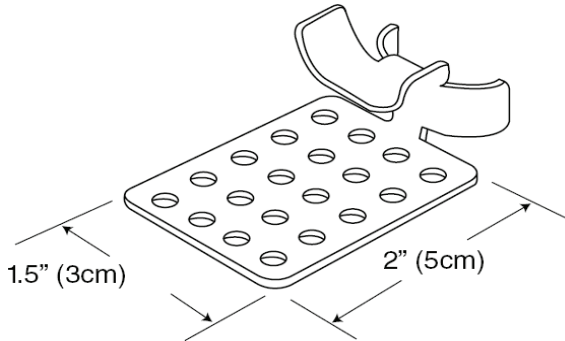


Using pliers, close the clips firmly about the cable, being careful not to crush the cable.

Note: use clip strip and spacers to hold cable in place in gutters.

Install clips as shown to attach the cable to the roof, shingle and gutter.

6. B) BRITECH BT-50 ROOF CLIP INSTALLATION



Follow these instructions to use Britech BT-50 roof clips when attaching Britech deicing cable to asphalt shingle and metal roof surfaces.

- Use adhesive/sealant to adhere BT-50 roof clips to asphalt shingles and metal/aluminum gutter. Adhesive/sealant must be supplied by installer.
- Use double-sided adhesive pads to adhere BT-50 roof clips to metal roof surfaces and gutters. Double-sided adhesive pads must be supplied by installer.

ATTACHING BT-50 ROOF CLIP TO ASPHALT SHINGLE ROOFS USING ADHESIVE/SEALANT

1. Clean roof with water to remove dirt and debris. Consult adhesive/sealant manufacture for minimum installation temperature.
2. Determine deicing cable layout and clip placement according to the Britech Roof-Gutter-Drain Installation Manual. See Figure 1.
3. Apply 0.2 oz. of adhesive/sealant to the back of BT-50 roof clip. See Figure 2.
4. Orient the BT-50 roof clip as needed. Press down to ensure adhesive/sealant flows through holes. Do not trim back adhesive/sealant beads because they help hold the clip down. See Figure 3.
5. Allow 24 hours for adhesive/sealant to cure before installing the de-icing cable.
6. Install de-icing cable and use pliers to close clamps, ensuring not to damage cable. See Figure 4.

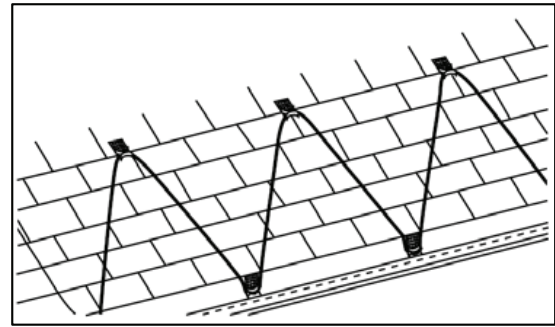


Figure 1.

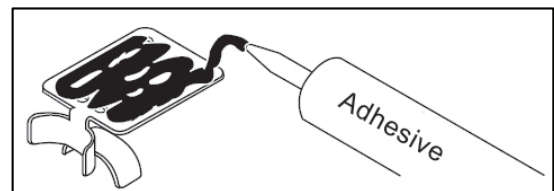


Figure 2.

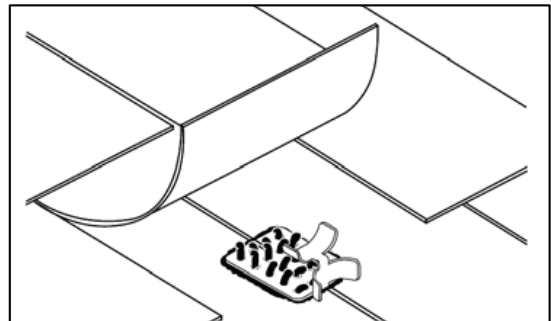


Figure 3.

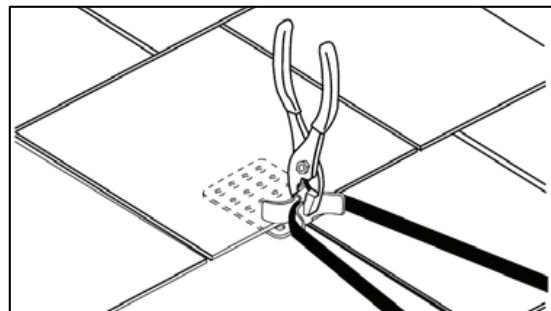


Figure 4.

ATTACHING BT-50 ROOF CLIP TO STANDING SEAM METAL ROOFS USING DOUBLE-SIDED ADHESIVE PADS

1. Determine deicing cable layout and clip placement according to the Britech Roof-Gutter-Drain Installation Manual. See Figure 5.
2. Prepare roof surface removing oil and dirt. See Figure 6.
3. Apply one double-sided adhesive pad to the back of BT-50 roof clip. See Figure 7.
4. Orient BT-50 roof clip as needed on prepared surface. Press down to ensure double-sided adhesive pad adheres to surface. See Figure 8.
5. Install deicing cable and use pliers to close clamps, ensuring not the damage cable. See Figure 9.

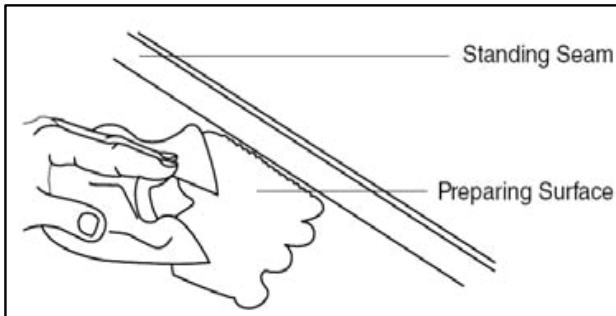


Figure 6.

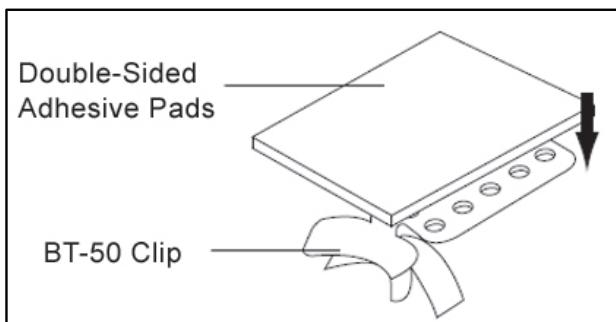


Figure 7.

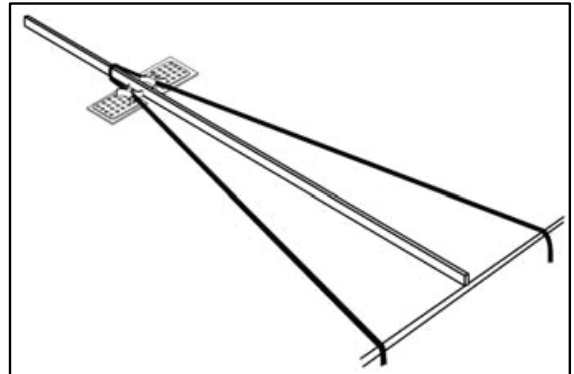


Figure 8.

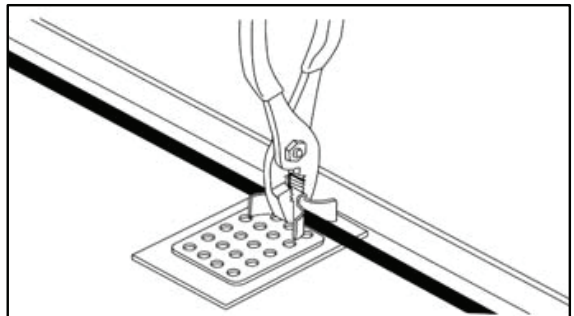


Figure 9.

IMPORTANT NOTES:

- Please refer to adhesive directions for minimum application temperature and duration of adhesive curing time before installing the deicing cable. Depending upon your adhesive you may also need to use a primer.
- When using pliers to close the clips firmly around the cable, be careful not to crush the cable. This may damage the system.
- For some applications, it may be necessary to install heating cable loops on the roof as well as in the gutters and downspouts. Consult Britech for additional products required in installing your deicing system.

Product Name: _____

Model #: _____ **Watts:** _____ **Volts:** _____

Supplier/Purchased from: _____

APPLICATION: FLOOR WARMING RADIANT HEATING SNOW MELTING ROOF DE-ICING PIPE TRACING OTHER

LOCATION : _____

TEST	Before commencing installation	After installation but before final surface	After final surface installation
Continuity			
Resistance of Cable (OHMS)			
Insulation Resistance (M OHMS)			

Address of Installation: _____

Date of Installation: _____ / _____ / _____ (MM/DD/YY)

Name of Qualified Electrician: _____

Signature of Qualified Electrician: _____

IMPORTANT: The system warranty is not valid without evidence that the system resistance has been tested. Control Card must be completed and given to the property or homeowner upon completion of installation and required testing.

 For assistance with your heating cable product please contact Britech by calling 1-877-335-7790 or email info@britech.ca

WARRANTY POLICY

All products sold in Canada by Britech Corp. carry the original manufacturers warranties. Britech's policy is to exchange any non-performing product with a similar product or product of equal value during its warranty period as outlined in the terms below. Full product warranties can be obtained from the manufacturer online and/or by request.

Britech will administer and promptly process all warranties in accordance with the manufacturer's specific warranty policies and procedures.

Britech will provide technical assistance to assist the end user or installer in the best method of operation, application and installation.

Custom heating cables carry a twenty (20) year warranty. Warranty on custom TXLP cables is provided by Nexans (refer to their warranty statement summary).

For more information regarding warranty terms or for assistance with your heating cable product please contact Britech Corp. at 1-877-335-7790

Warranty Terms for Heating Cables, Mats & Custom Cable Units:

BRITECH Terms of Limited Warranty (Summary):

This guarantee applies to the following Britech label products: TECH-MAT™, SNOW-MAT™, SNOW-MELT™ and BRI-THIN™ Cables.

Britech warrants to the original purchaser only, that the product is to be free of any defects in material or workmanship during the first twenty (20) years after the date of purchase under proper and normal use of the system. This guarantee is a material warranty only and does not cover any labor or other installation cost. The warranty does not cover installations made by unauthorized persons or faults caused by incorrect design by others, misuse, damage caused by others, damage in transit, incorrect installation and any other subsequent damage that may occur. Repair and/or replacement will be fully chargeable if damage is result of any of the above reasons.

Britech is under no circumstances liable for any incidental, special, or consequential damages or losses including without limitation the loss or profit arising from any cause whatsoever. To obtain a replacement under this warranty, please send a description of the defect, proof of purchase, and the damaged product, shipping paid to Britech at the address noted below. The warranty is void if there is any payment default and if data is not filled-in on the control card. www.britech.ca

NEXANS Terms of Limited Warranty (Summary):

Nexans Norway warrants the products manufactured by it to be free from defects in material and workmanship from the date the warranty form attached to the product is correctly and completely filled in and for a period of twenty (20) years thereafter, or a period of twenty-one (21) years after the production date, whichever period ends first, under proper and normal use and service. Nexans Norway's responsibility does not include defects caused by material obtained by the buyer or by constructions specified by it. Nexans Norway further warrants that the products will have passed those performance tests, if any, called for in the applicable specifications.

The buyer must give Nexans Norway written notice of any defect within thirty (30) days following the discovery of the defect, and in no event later than two (2) weeks after the expiry of the warranty period.

www.nexans.com

Warranty Terms for Controls, Thermostats & Sensors:

ASE / Automated Systems Engineering Terms of Limited Warranty (Summary):

ASE Products are warranted against defects in workmanship and materials for two (2) years from date of sale. This warranty does not apply to damage resulting from accident, misuse, or alteration nor where connected voltage is more than 5% above the configured operating voltage, nor to equipment improperly installed or wired or maintained in violation of the Owner's Manual. No other written or oral warranty applies. No employee, agent, dealer or other person is authorized to give any warranties on behalf of ASE. The customer shall be responsible for all costs incurred in the removal or reinstallation and shipping of the product for repairs. Within the limitations of this warranty, inoperative units should be returned, freight prepaid, to ASE, and we will repair or replace, at our option, at no charge to you with return freight paid by ASE. It is agreed that such repair or replacement is the exclusive remedy available from ASE and that ASE IS NOT RESPONSIBLE FOR DAMAGES OF ANY KIND, INCLUDING INCIDENTAL AND CONSEQUENTIAL DAMAGE. www.goase.com

BRITECH / HONEYWELL

Terms of Limited Warranty (Summary):

Honeywell warrants it's products, excluding battery, to be free from defects in the workmanship or materials, under normal use and service, for a period of three (3) years from the date of manufacture. If at any time during the warranty period the product is determined to be defective or malfunctions, Honeywell shall repair or replace it (at Honeywell's option) through Britech.

If product is defective, return it to the following address: Britech Corp., 17 Pullman Court, Toronto, Ontario M1X 1E4 Toll Free: 1-877-335-7790 • Email: info@britech.ca

This warranty does not cover removal or reinstallation costs. This warranty shall not apply if it is shown by Honeywell that the defect or malfunction was caused by damage which occurred while the product was in the possession of a consumer. Honeywell's sole responsibility shall be to repair or replace the product within the terms stated above. www.honeywell.com

JOHNSON CONTROLS

Terms of Limited Warranty (Summary):

The Company warrants all products manufactured by it to be free from defects in workmanship or materials under normal use and service. If any part of the product herein described, and sold by the Company proves to be defective in workmanship or material, and if such part is within three (3) years from date of sale, returned to the Company transportation charges prepaid and if the same is found by the Company to be defective in workmanship or material, credit based on current prices will be allowed. The date of sale must be established by a receipt showing the purchase date, seller and product sold. If the date of sale cannot be determined, the warranty shall extend for three (3) years from the date of manufacture. www.jci.com

NEXTRON Terms of Limited Warranty (Summary):

The manufacturer warrants each control that it manufactures to be free from defective material or workmanship for a period of 12 months from date of purchase. Under this warranty, the obligation of the manufacturer is limited to repairing or replacing the defective control at its option, when returned to the manufacturer's factory with shipping charges prepaid. If failure has been caused by misuse, incorrect application or alteration of the control, this warranty will be void. UNLESS SPECIFICALLY PROVIDED FOR IN WRITING IN THIS WARRANTY, EACH CONTROL IS PROVIDED WITHOUT ANY WARRANTY OF ANY KIND EITHER EXPRESSED OR IMPLIED. The user shall be made aware that if the equipment is used in a manner not specified by the manufacturer, the protection provided by the equipment may be impaired. www.nextron.ca

Warranty Terms for BRI-GFI Ground Fault Interrupter:

BRITECH Terms of Limited Warranty (Summary):

Britech warrants the BRI-GFI (Ground Fault Interrupter) is manufactured to be free from defective material or workmanship for a period of 12 months from date of purchase. Under this warranty, the obligation of Britech is limited to repairing or replacing the defective control at its option, when returned to the manufacturer's factory with shipping charges prepaid. If failure has been caused by misuse, incorrect application or alteration of the control, this warranty will be void. BRITECH IS UNDER NO CIRCUMSTANCES RESPONSIBLE FOR DAMAGES OF ANY KIND, INCLUDING INCIDENTAL AND CONSEQUENTIAL DAMAGES. This guarantee is a material warranty for components only and does not cover any labor. To obtain a replacement under this warranty, please send a description of the defect, proof of purchase, and the damaged product, shipping paid to Britech at the address noted herein.

Warranty Terms for Self-Regulating Cables (FT-FREEZE TRACE/ST-SMART TRACE)

BRITECH Terms of Limited Warranty (Summary):

This guarantee applies to Britech's Self-Regulating Cables: FT (5) five years / ST (2) two years

Britech warrants to the original purchaser only, that the product is to be free of any defects in material or workmanship (during warranty term as noted above) after the date of purchase under proper and normal use of the system. This guarantee is a material warranty only and does not cover any labor or other installation cost. The warranty does not cover installations made by unauthorized persons or faults caused by incorrect design by others, misuse, damage caused by others, damage in transit, incorrect installation and any other subsequent damage that may occur. Repair and/or replacement will be fully chargeable if damage is result of any of the above reasons.

Britech is under no circumstances liable for any incidental, special, or consequential damages or losses including without limitation the loss or profit arising from any cause whatsoever. To obtain a replacement under this warranty, please send a description of the defect, proof of purchase, and the damaged product, shipping paid to Britech at the address noted herein. The warranty is void if there is any payment default and if data is not filled-in on the control card. www.britech.ca